

Printer Maintenance Kit Type 3800H

(Code: G776)

MAINTENANCE GUIDE

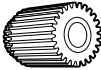



⚠ CAUTION:

- *The inside of the machine becomes very hot. Do not touch the parts with a label indicating a "hot surface". Touching a "hot surface" could result in a burn.*

📌 Note

- ❑ The following illustrations are examples of replacing the paper feed rollers of Tray 1. The same procedure applies to other trays.

1 Check the contents of the box for the following items:

Description	Q'ty
Paper Feed Roller A 	1
Paper Feed Roller B 	1
Paper Feed Roller C 	1
Stoppers 	2
Maintenance Guide (This manual)	1

📌 Note

- ❑ The two stoppers enclosed in the kit are spares. When replacing rollers B and C in steps 6 to 9, use the roller stoppers attached in the machine. If you should drop or misplace either of these, use the stoppers in the kit.

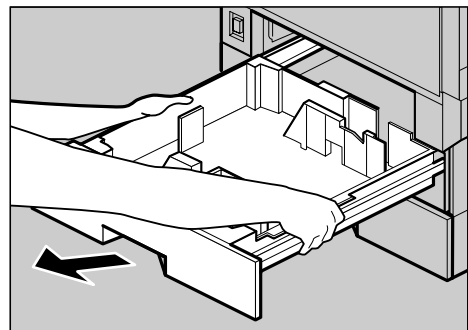
2 Be sure to check the following points:

- The power is turned off.
- The power cord is unplugged from the wall outlet.
- The interface cable is unplugged from the printer.

⚠ Important

- ❑ If you are replacing the paper feed rollers of the optional 2000-sheet Large Capacity Tray, remove all paper from the tray.

3 Slowly pull out all trays while lifting up a little.

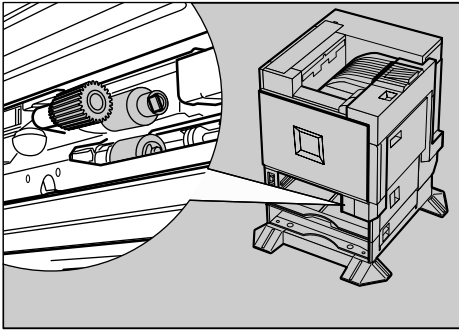


ZERH010E

Note

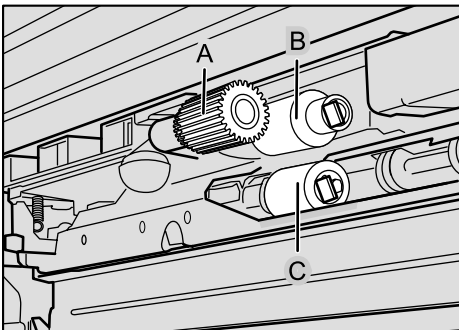
- If you are replacing the paper feed rollers of the optional paper feed unit, or 2000-sheet Large Capacity Tray, pull out all paper trays from each unit.

4 Check the position of the paper feed rollers.



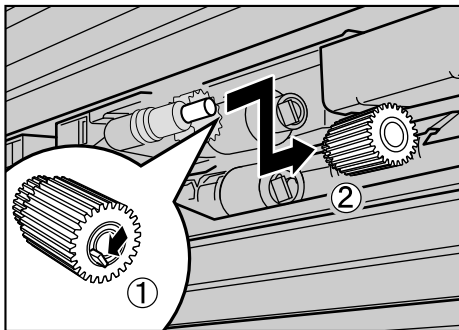
ZERH020E

Confirm the positions and names of each roller.



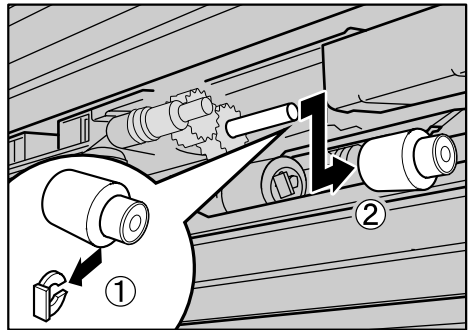
ZERH030E

5 While pushing the pin of the paper feed roller A outwards (①), remove the paper feed roller (②).



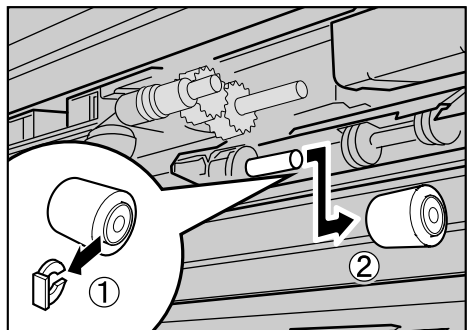
ZERH040E

6 Remove the stopper from the paper feed roller B (①), and then remove the roller (②).



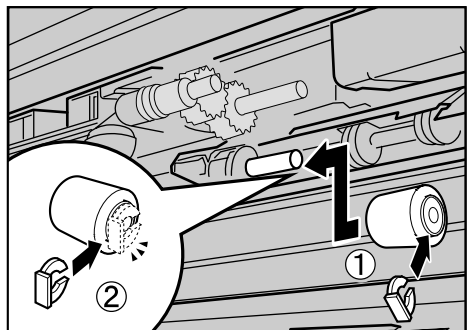
ZERH050E

7 Remove the stopper from the paper feed roller C (①), and then remove the roller (②).



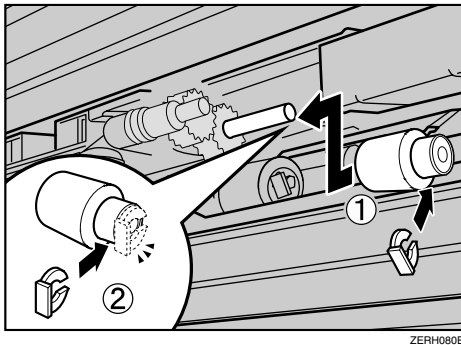
ZERH060E

8 Hold the new paper feed roller C with its gear towards the shaft. Insert it into the rear shaft so that the roller gear interlocks with the shaft gear (①). Lock the roller with the stopper (②).

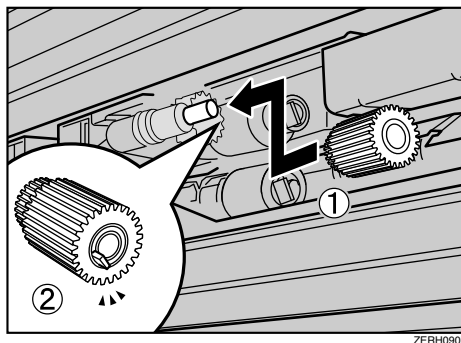


ZERH070E

- 9** Hold the new paper feed roller B with its gear towards the shaft. Insert it into the rear shaft so that the roller gear interlocks with the shaft gear (①). Lock the roller with the stopper (②).



- 10** Hold the new paper feed roller A with its pin towards you (①). Insert the roller onto the front shaft until it clicks into place (②).



- 11** Slowly slide all trays back into the printer until they stop.

Note

- If you are replacing the paper feed rollers of the optional 2000-sheet Large Capacity Tray, load the stocks removed in step **2** into the tray.